

FIG. 1

REPLACEMENT SHEET

2/4

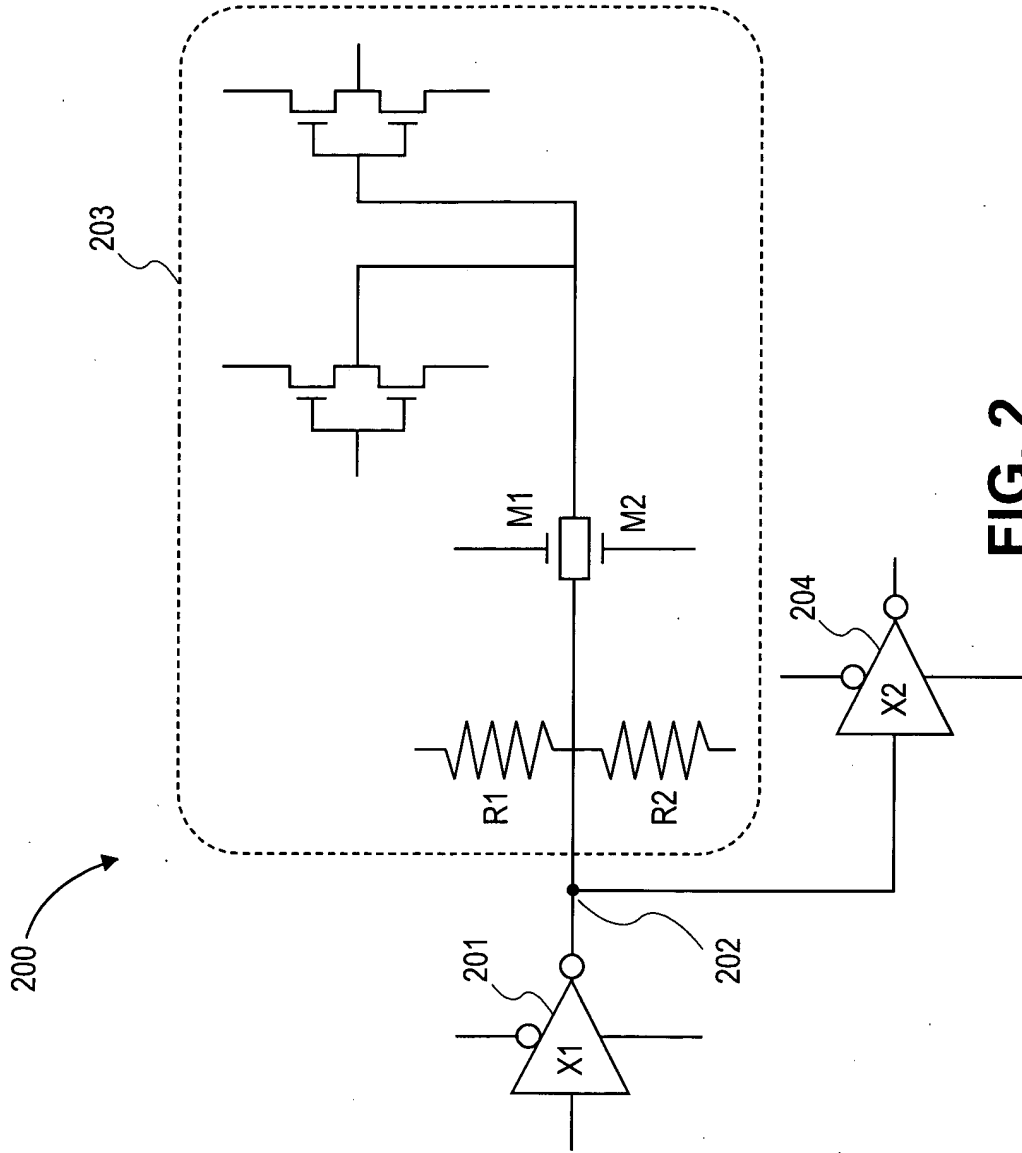


FIG. 2

REPLACEMENT SHEET

3/4

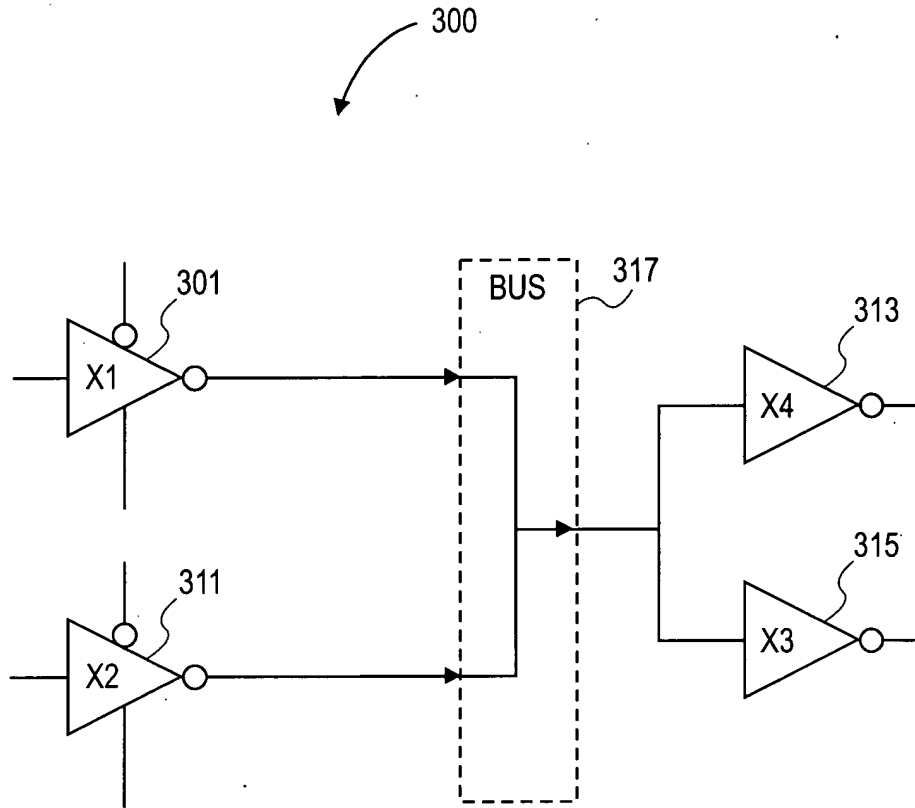


FIG. 3

REPLACEMENT SHEET

4/4

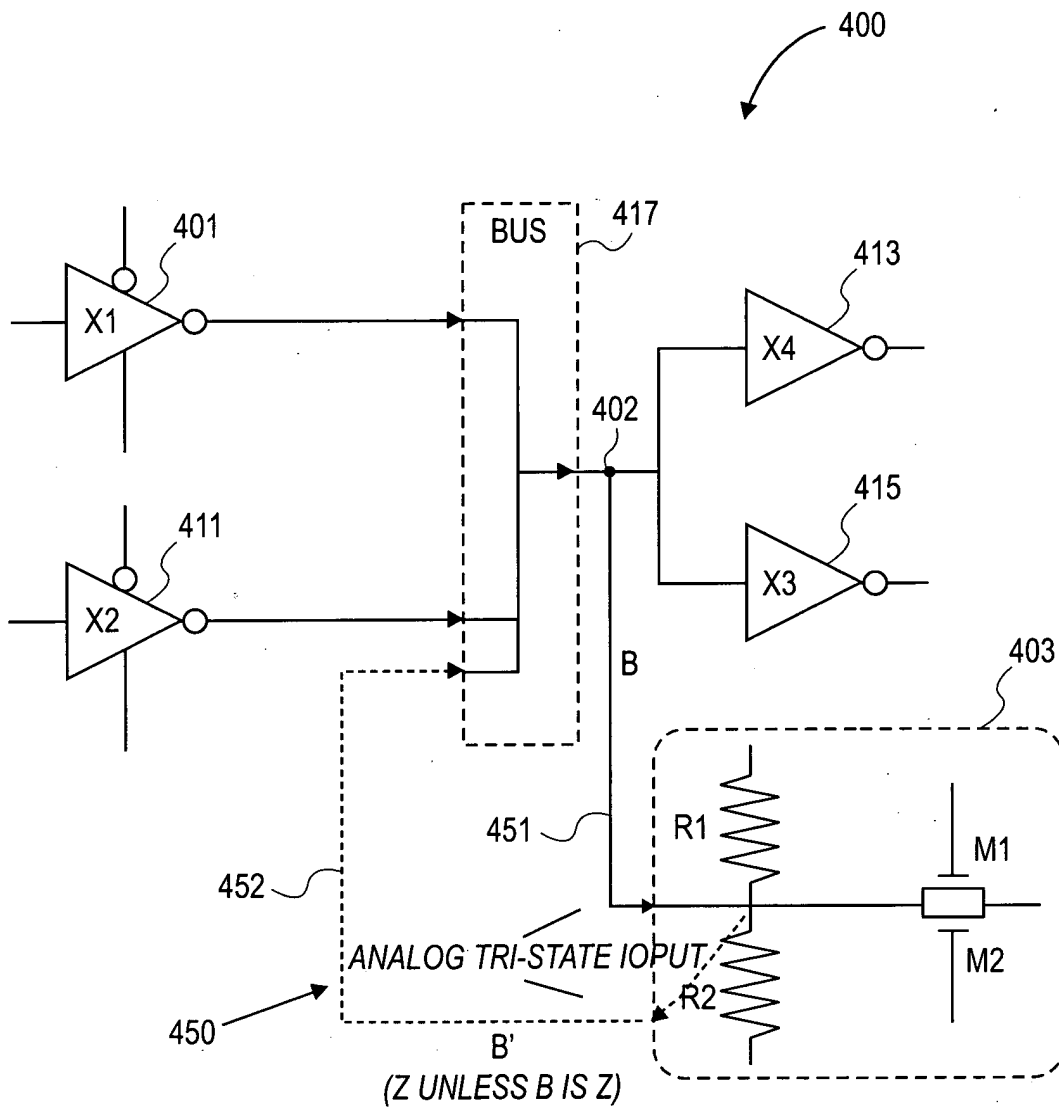


FIG. 4